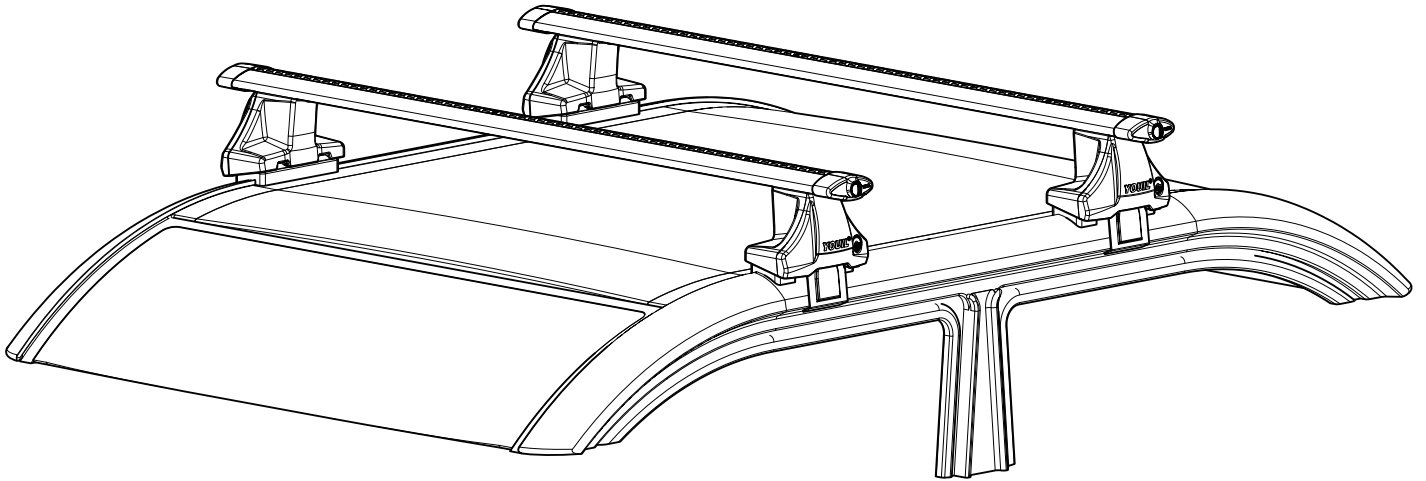


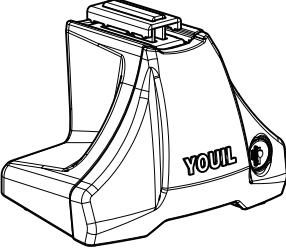
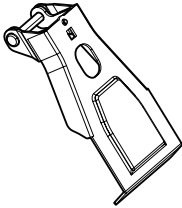
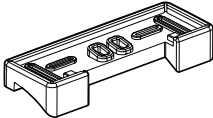

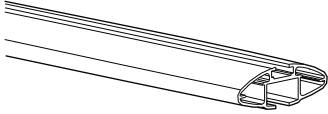



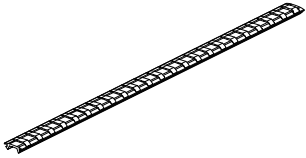
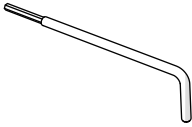

Yi-190S WB

Normal Roof



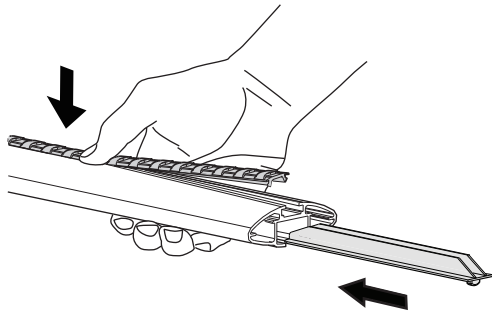
Install in order after reading the installation manual thoroughly.
Load Capacity 75kg

Parts

| | | | | |
|---|---|--|---|--------|
|  |  |  |  | |
| X 4 | X 4 | X 4 | X 4 | |
|  |  |  |  | |
| X 2 | X 4 | X 4 | X 1 | |
|  | |  |  | |
| Molding Quantity for Crossbar | | | | |
| 1090mm | 1190mm | 1270mm | 1350mm | 1480mm |
| X6 | X6.5 | X7 | X7 | X7.5 |
| | | | X 1 | X 2 |

2024.09.09

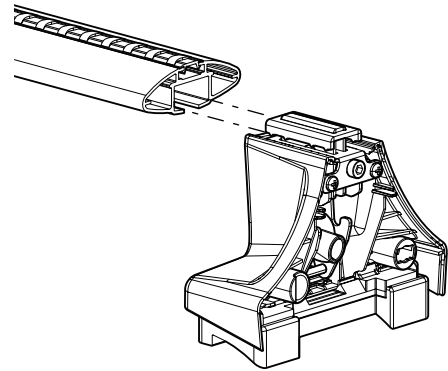
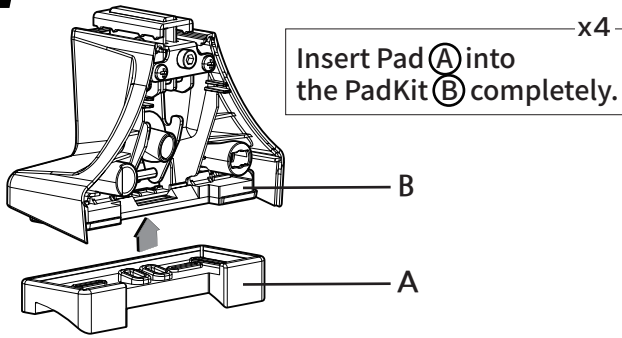
1



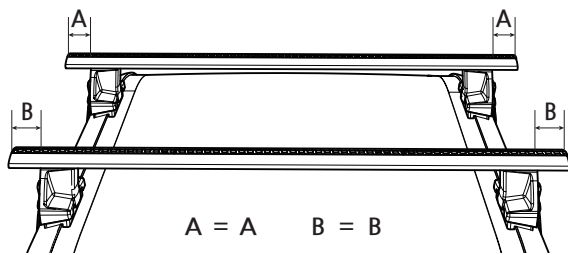
Install the rubber molding by pressing downward and cutting it to fit the ends.

Insert the bottom slider to the cross bar.

2

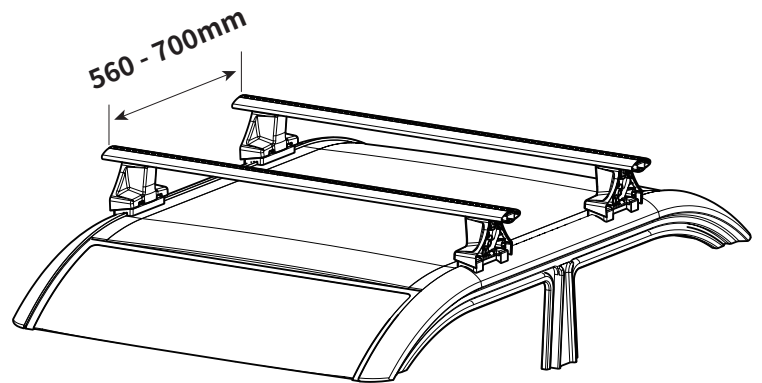


3

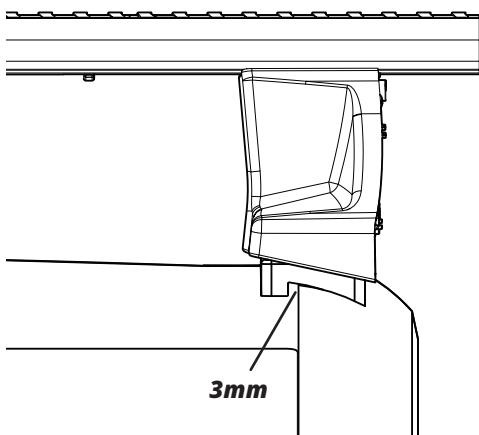


Adjust the left and right sides of the bar equally.

Wipe the place where the roof rack will be installed with a soft cloth.

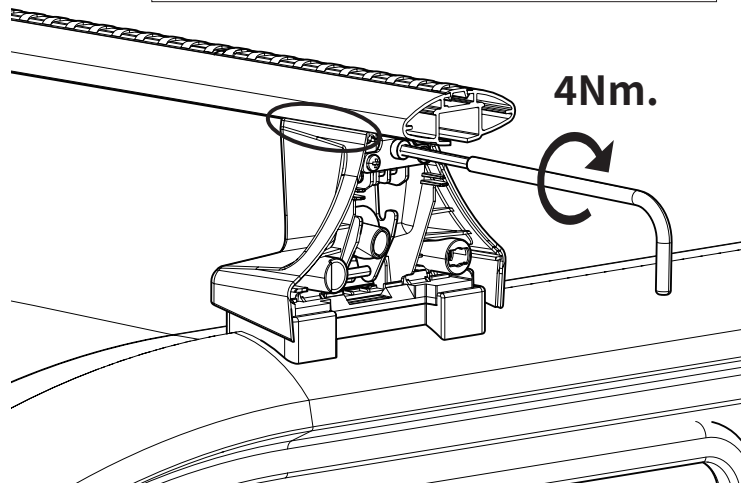


4

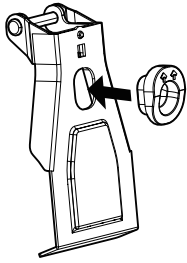


x4
Leave a space about 3mm.

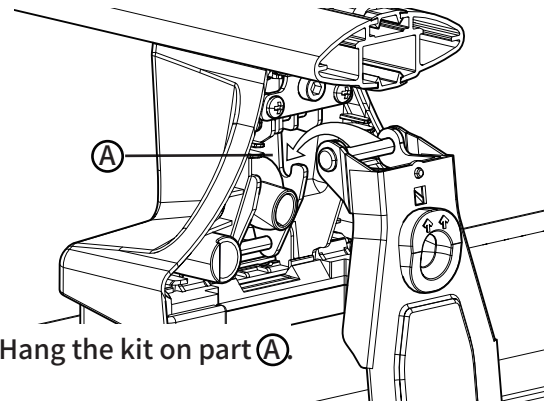
x4
⚠ After making the circled part of foot parallel to the bar
Tighten the bolts firmly



5

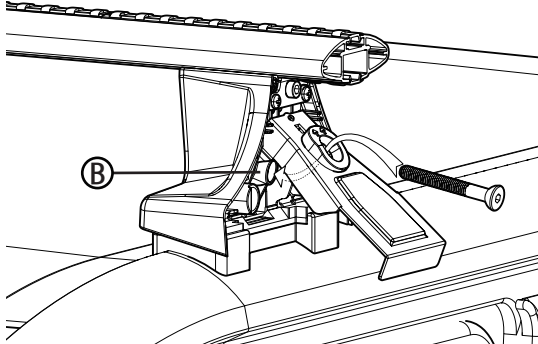


x4
Insert the kit washer into the kit cover with the arrow pointing upward.

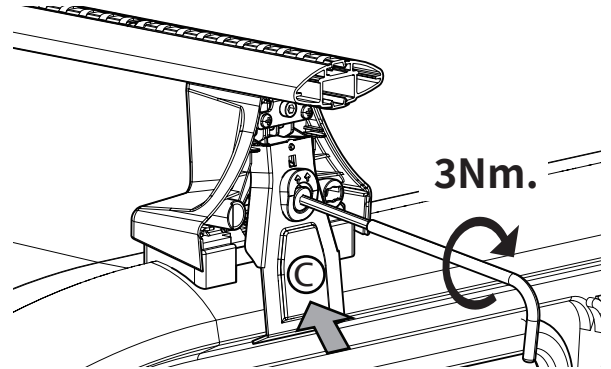


Hang the kit on part (A).

6

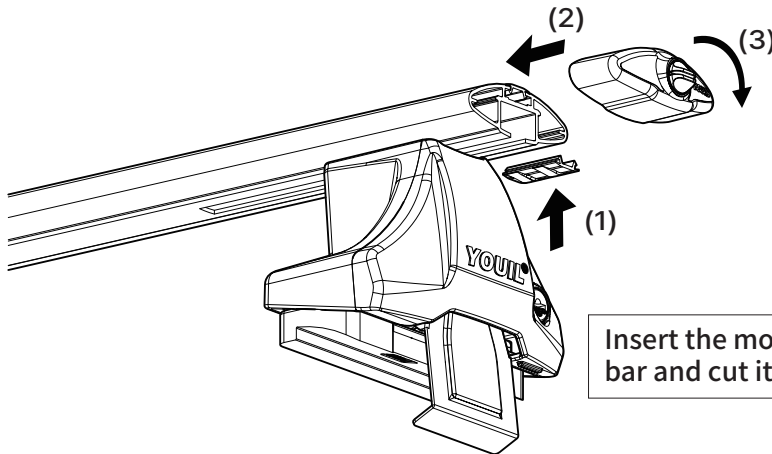


Insert kit-bolt into nut hole (B) and be sure to hand-tighten first.



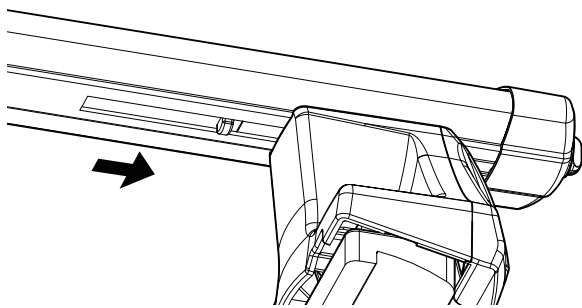
Tighten driver and passenger side alternatively while pressing the part (C) in the direction of the arrow.

7

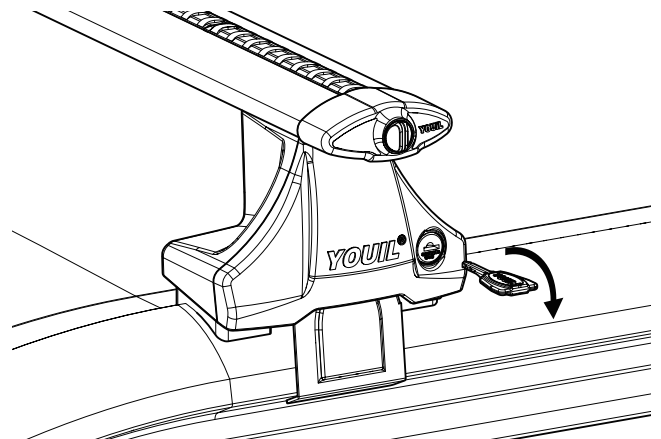


x4
After inserting the end cap, turn the handle 90 degrees.

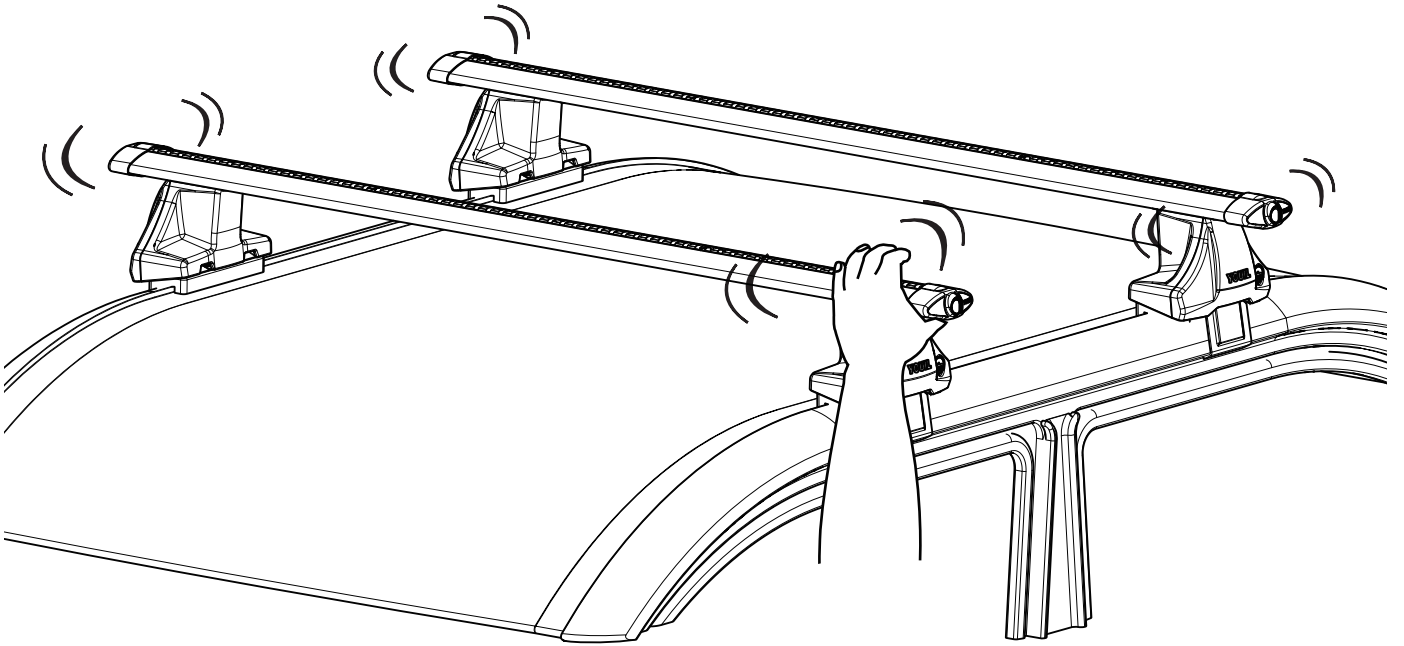
x4
Insert the molding to the bottom of the bar and cut it to fit the ends.



x4
Pull the slider toward the body.



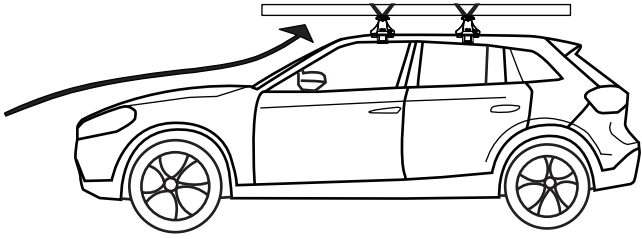
x4
After inserting the cover, turn the key 90 degrees to lock.



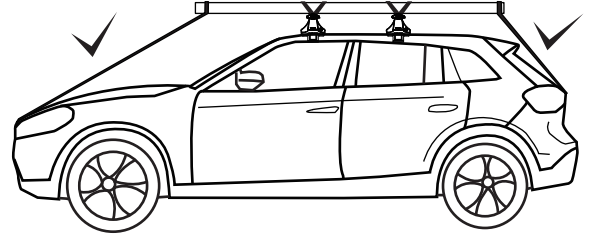
Push and pull in all directions to make sure the roof racks are installed firmly.



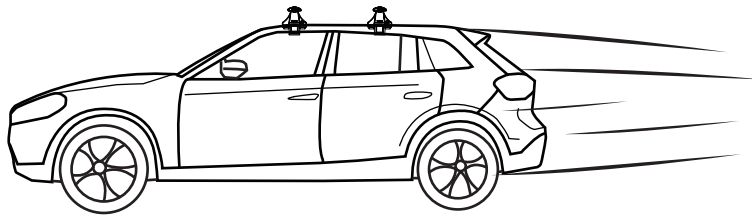
Check it daily. If any of the bar or kit moves, check and repeat from installation manual step 4. Then check the roof racks are securely installed again.



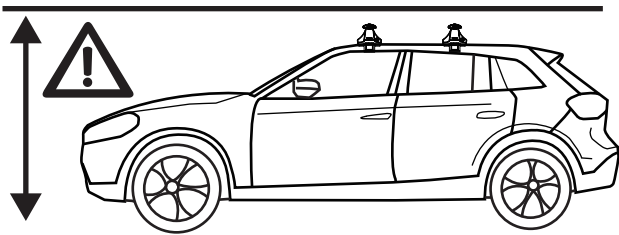
Do not drive faster than **50mph (80 km/h)** with long loads.



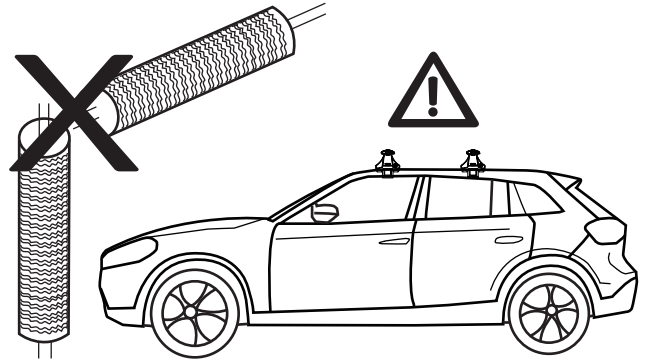
Secure the loads by using appropriate tying tools



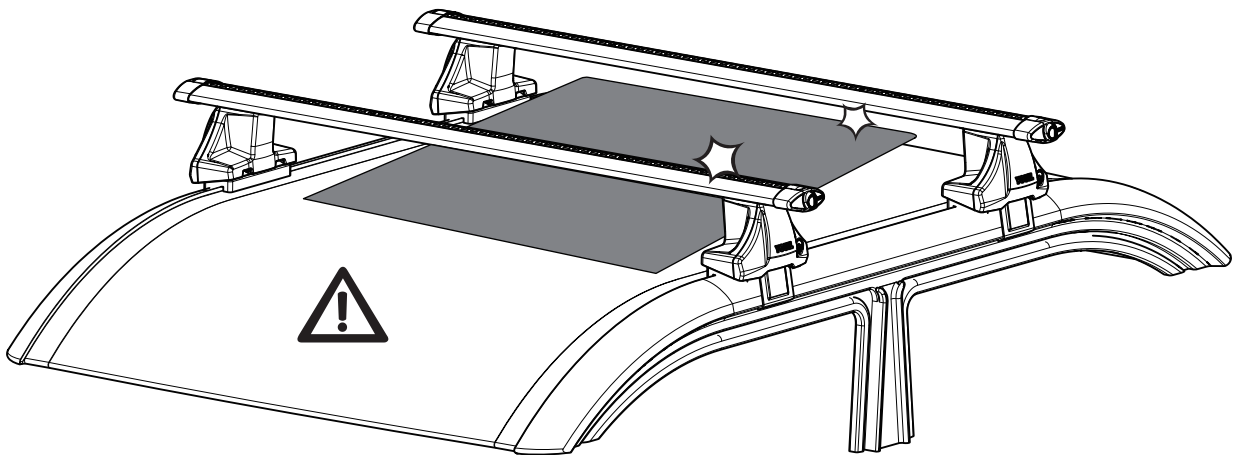
Do not drive faster than **80mph (130 km/h)**



Check the height of the vehicle when roof racks and attachments are installed before driving under tunnels or parking structures with low bridges.



When using an automatic car wash, roof racks and attachments must be removed.



Precaution must be taken as the sunroof may interfere with roof racks or mounting gear.

 **Be sure to read all the instructions below as it contain very important information.**

Fitting.

- Check the manual before installation to see if all the components are included.
- After reading the installation manual carefully, install in order.
- Before installation, clean the parts of the vehicle that come into contact with the product.
- If the mounting location is not specified in the manual, keep the minimum distance between center of bars at least 600mm.
- When loading long objects, the distance between center of bars must be at least 650mm.
- After installing the roof rack, pull and push the roof rack to see it is securely fitted.
If you can move the part, you need to fasten the bolt more firmly.
These checks should be done frequently.
- Excessive tightening of the bolts when installing the roof rack may cause damage to the body of the vehicle or product.
- For some vehicles, the sunroof may not be available when the roof rack is mounted. Temporarily put the roof rack on the mounting position to check if there is any interference with the sunroof during operation.
- When installing the roof rack, insert the rubber molding into the upper and lower track of the bar without any spaces.
- Do not modify the product.
- The manufacturer is not responsible for damage to private property or loss of fortune cause by improper installation or use.

Loading and Driving.

- The maximum load weight recommended by the vehicle manufacturer always takes precedence, and the maximum load weight specified in the installation manual must not be exceeded.
The additional accessories, and the loaded items must all be counted.
- The items should be loaded evenly distributed.
- When loading surfboards or long items, they should be stacked on top, not wide on the sides. Also, surfboards or long items must be securely fastened to the front and rear of the vehicle.
- When loading skis or boards, the front of the skis or boards must be loaded toward the rear of the vehicle
- After loading the items on the carrier, tighten the load securely by non elastic straps.
- Check the condition of the load if necessary and fix the strap more firmly.
- The driving speed should always be adjusted according to various conditions such as the load condition, the type of road, the road surface condition, wind and traffic condition, and the speed limit of the road.
- Do not exceed 130km/h under any circumstances, and road traffic regulation must be observed at all times.
- On speed bumps, drive under 10km/h.
- Consider the height of the vehicle will be increased when roof rack and other accessories are installed.
- All products with locks must be locked before driving.

Maintenance.

- Check the product if there is any defective or worn-out parts.
- Bolts and nuts should be inspected regularly.
- When using an automatic car wash, you must remove the roof rack and carriers.
- The locks of products are designed to deter theft, but they are not suitable for a complete anti-theft role, so valuable equipment and items should be stored separately when left unattended.
- When changing a vehicle model or using a second handed product, be sure to use appropriate parts for the vehicle model. Even if the product name is same, the parts of product may be different.

- 1. Fold the Installation Instructions in half.**
- 2. Fold the warning card and warranty card.**
- 3. Place the Installation Instructions, warning / warranty card and Wrench inside the vehicle Glove Box.**